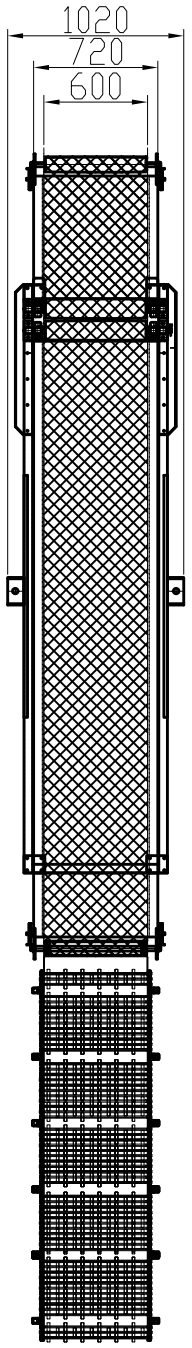
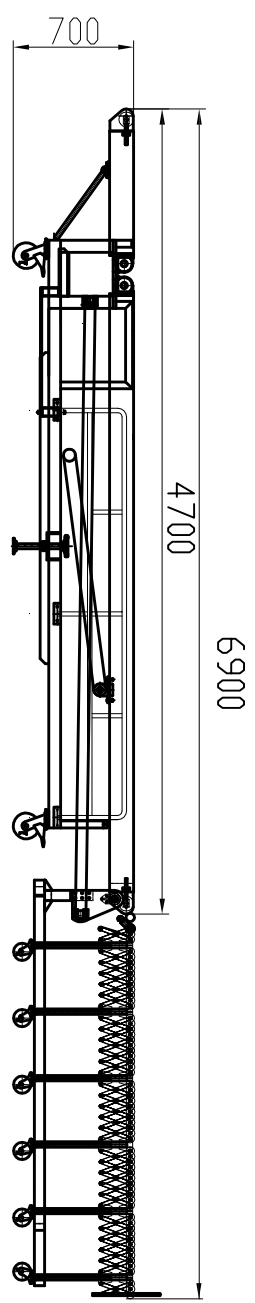
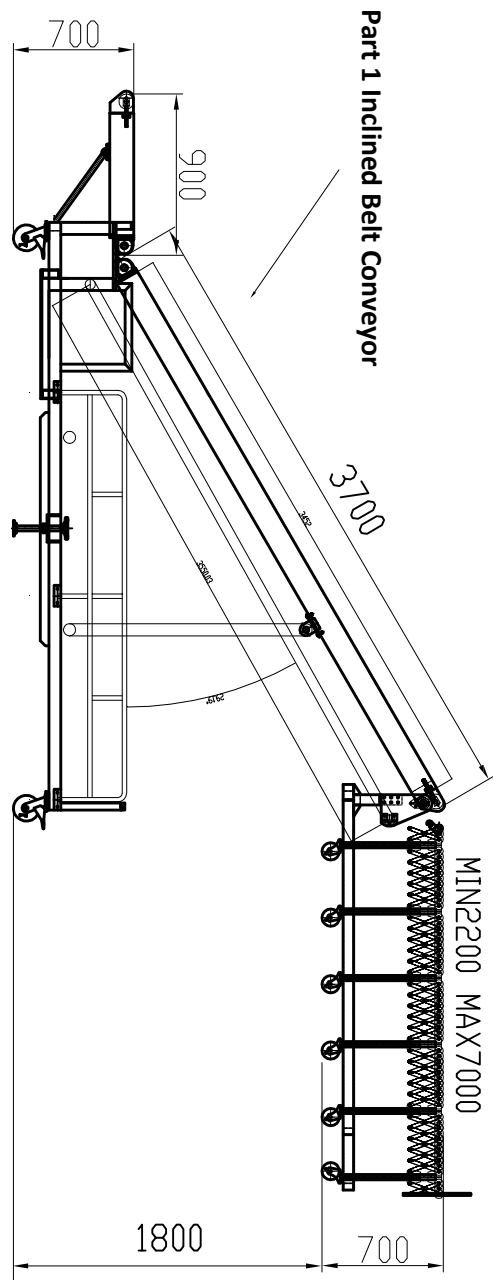


Part 2 Flexible Gravity Skate Wheel Conveyor



Technical Parameters

Part 1: Inclined Belt Conveyor

1. Belt Specs: W=600mm, T=5mm, rough top PVC belt
2. Adjustable Speed: 1.0-2.2m/min, forward & reverse
3. Adjustable Height: 700-2500mm
4. Load Capacity: 50kg/m
5. Belt Driven Motor: 1.5kw; Conveyor Lift Motor: 2.2kw
6. Power Supply: 380V, 3-PH, 50Hz or 220V, 1-PH, 50Hz
7. Casters: Φ 125mm heavy duty lockable swivel PU casters
8. Frame Construction: carbon steel, powder coated

Part 2: Flexible Gravity Skate Wheel Conveyor

1. Wheels: Φ 49 steel or plastic wheels
2. Side Links: T=2mm with strengthened rib and reinforcing post channels
3. Castors: 4" high quality swivel PU casters with brakes
4. Adjustable Legs: 30*30*2mm galvanized steel tubes
5. When rollers fully opened, carbon length should be more than 280mm
6. Load Capacity: 50kg/m

YIFAN CONVEYOR									
Truck Loading Conveyor									
TLC-G600									