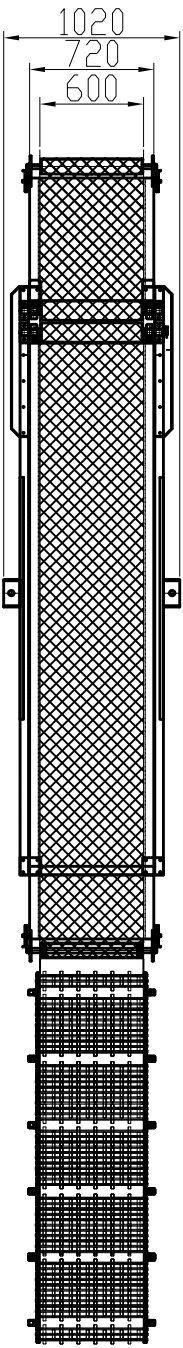
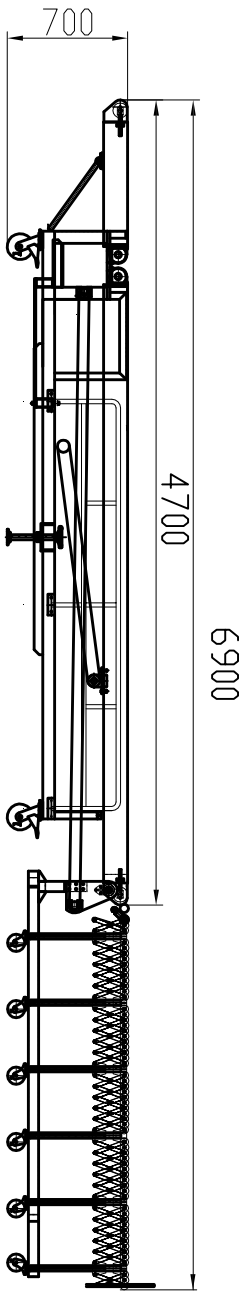
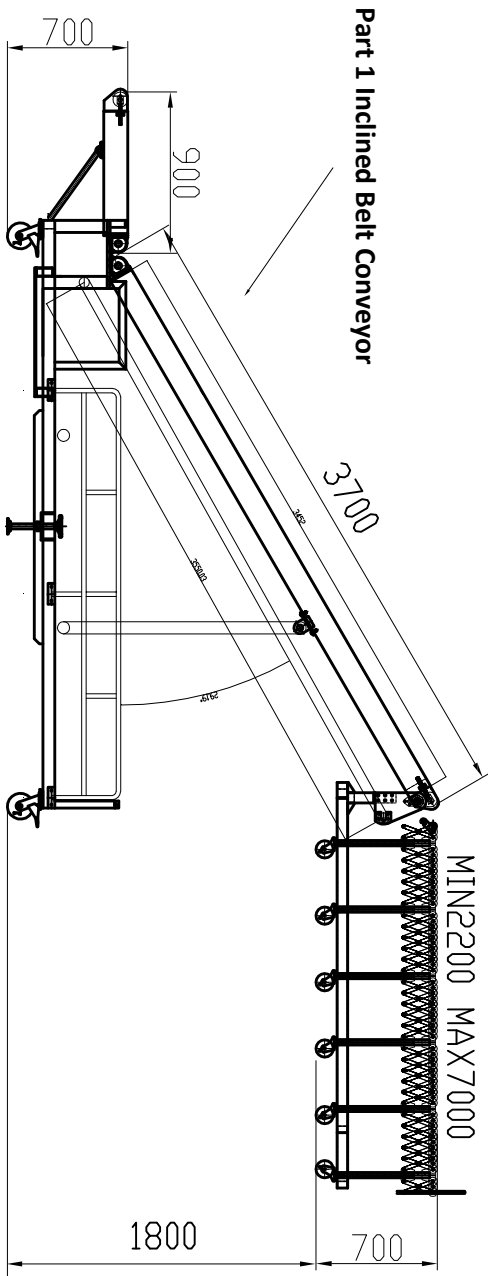


Part 2 Flexible Gravity Skate Wheel Conveyor



Technical Parameters

Part 1: Inclined Belt Conveyor

1. Belt Specs: W=600mm, T=5mm, rough top PVC belt
2. Adjustable Speed: 10-22m/min, forward & reverse
3. Adjustable Height: 700-2500mm
4. Load Capacity: 50kg/m
5. Belt Driven Motor: 1.5kw, Conveyor Lift Motor: 2.2kw
6. Power Supply: 380V, 3-PH, 50Hz or 220V, 1-PH, 50Hz
7. Casters:  $\Phi$ 125mm heavy duty lockable swivel PU casters
8. Frame Construction: carbon steel, powder coated

Part 2: Flexible Gravity Skate Wheel Conveyor

1. Wheels:  $\Phi$ 49 steel or ABS wheels, Max. Pitches 125mm center to center
2. Side Links: T=2mm with strengthened rib and reinforcing post channels
3. Castors: 4" high quality swivel PU casters with brakes
4. Adjustable Legs: 30\*30\*2mm, 25\*25\*2mm galvanized steel tubes
5. When rollers fully opened, carbon length should be more than 280mm
6. Max. Load: 100-200kg/m

作图附件登记

插图

表

明线图号

签字

日期

YIFAN CONVEYOR				YIFAN CONVEYOR			
Truck Loading Conveyor				Truck Loading Conveyor			
TLC-G600				TLC-G600			
设计	数量	分区	材料号	签名	日期	比例	重量/Kg
审核						1:30	
工艺							